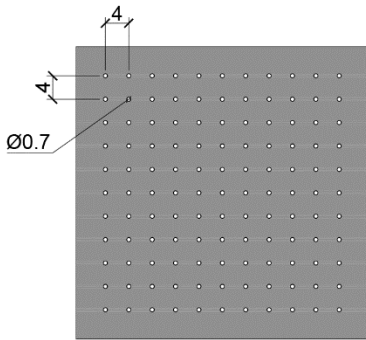
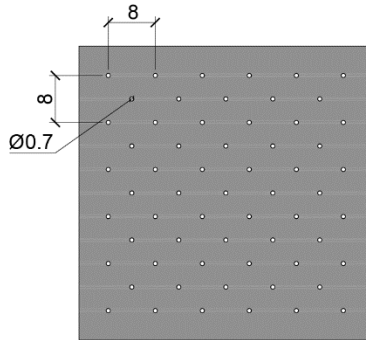


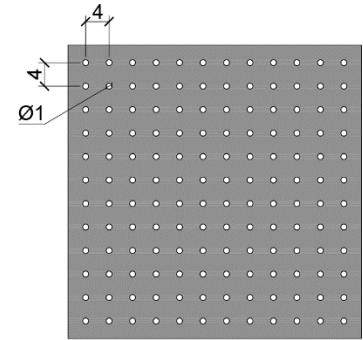
OWAtecta Perforation Patterns



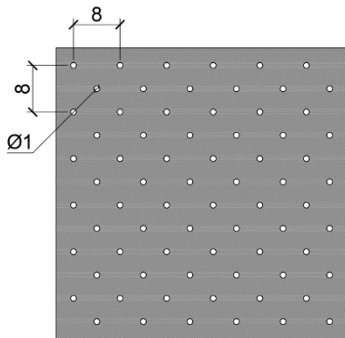
Perforation Open Area $\text{\O}0,7 \text{ mm}$ %2,4



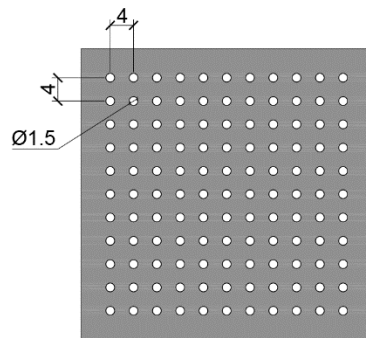
Perforation Open Area $\text{\O}0,7 \text{ mm}$ %1,2



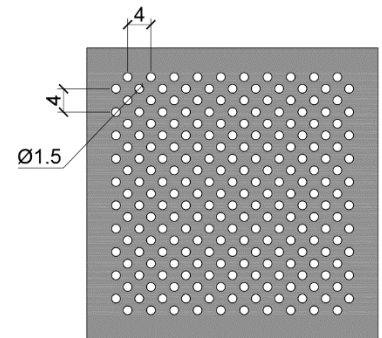
Perforation Open Area $\text{\O}1 \text{ mm}$ %4,91



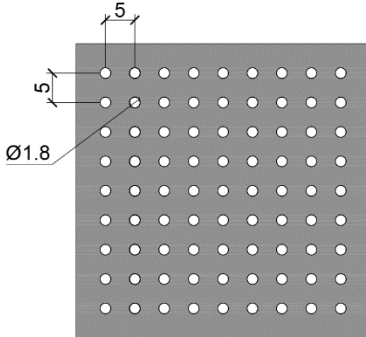
Perforation Open Area $\text{\O}1,5 \text{ mm}$ %2,46



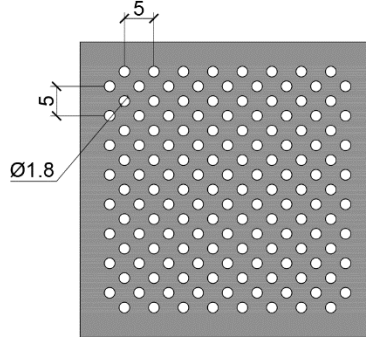
Perforation Open Area $\text{\O}1,5 \text{ mm}$ %11



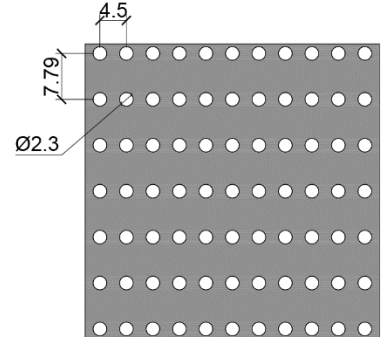
Perforation Open Area $\text{\O}1,5 \text{ mm}$ %22



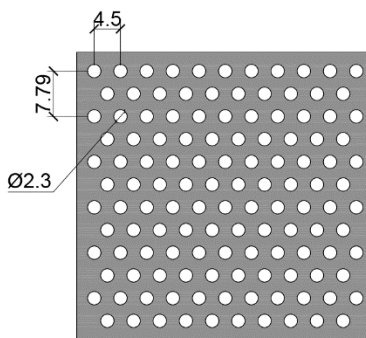
Perforation Open Area $\text{\O}1,8 \text{ mm}$ %10,20



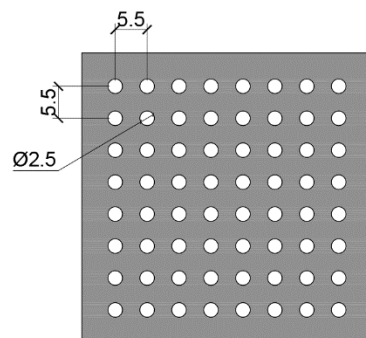
Perforation Open Area $\text{\O}1,8 \text{ mm}$ %20,30



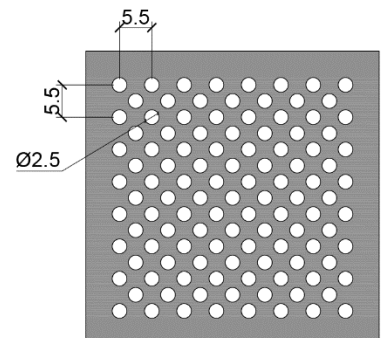
Perforation Open Area $\text{\O}2,3 \text{ mm}$ %11,80



Perforation Open Area $\text{\O}2,3 \text{ mm}$ %23,69

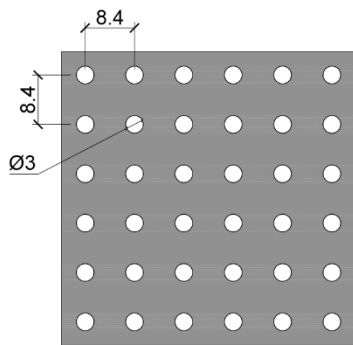


Perforation Open Area $\text{\O}2,5 \text{ mm}$ %16,20

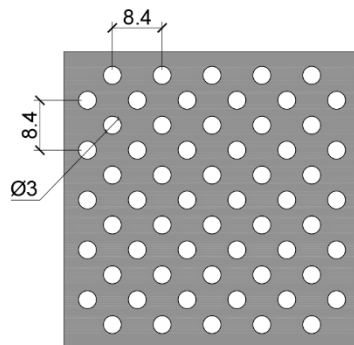


Perforation Open Area $\text{\O}2,5 \text{ mm}$ %32,10

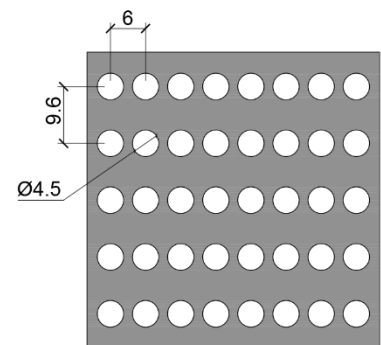
OWAtecta Perforation Patterns



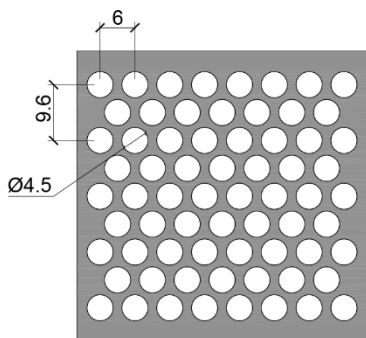
Perforation
Open Area Ø3 mm
%16,70



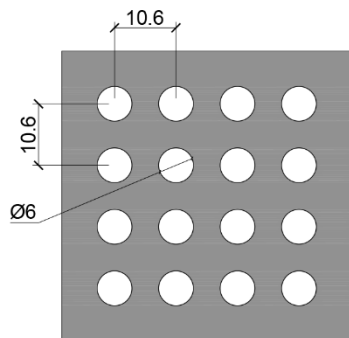
Perforation
Open Area Ø3 mm
%20



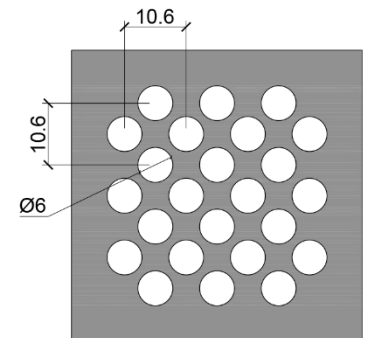
Perforation
Open Area Ø4,5 mm
%27,60



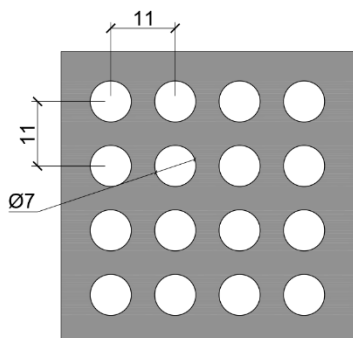
Perforation
Open Area Ø4,5 mm
%55,20



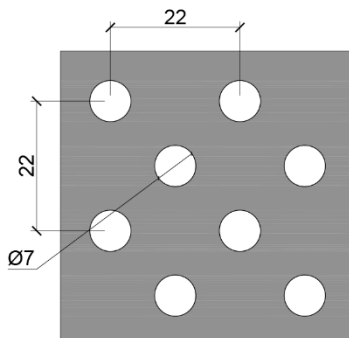
Perforation
Open AreaArea Ø6 mm
%25,10



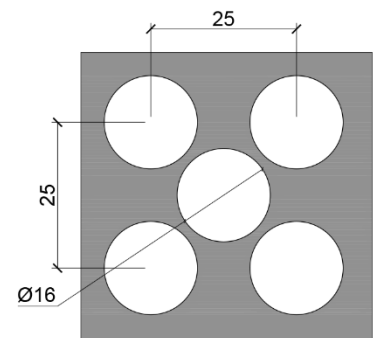
Perforation
Open Area Ø6 mm
%50,30



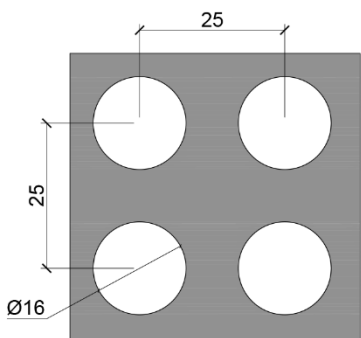
Perforation
Open Area Ø7 mm
%31,78



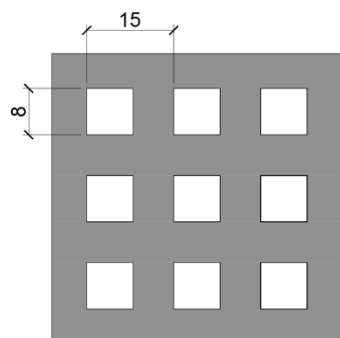
Perforation
Open Area Ø7 mm
%15,89



Perforation
Open Area Ø16 mm
%64,30



Perforation
Open Area Ø16 mm
%32,15



Perforation
Open Area 8x8 mm
%28