

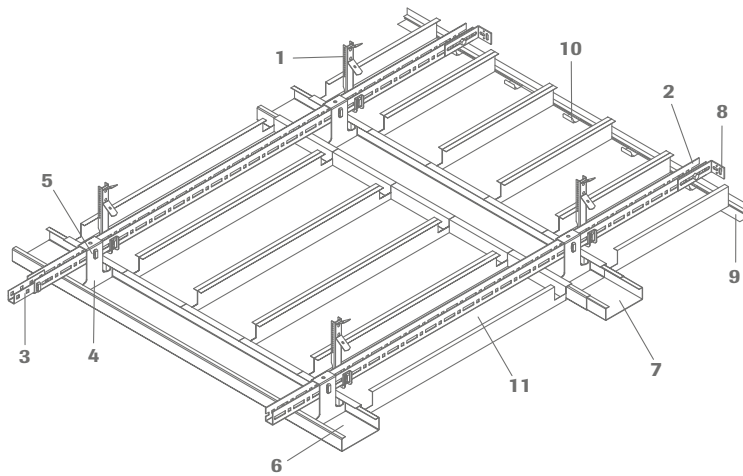


C bandraster, removable

OWAtecta – metal ceilings

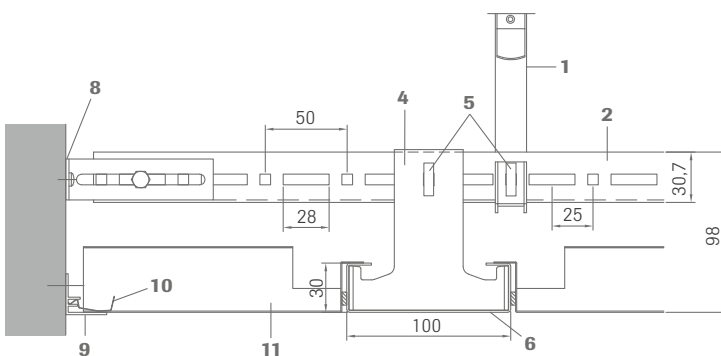
OWA

System S 48 | Removable



- 1 Hanger no. 1782E
- 2 U profile no. 70E
- 3 Connector no. 77E
- 4 Hanger no. 7910E
- 5 Safety clip no. 66E
- 6 C bandrastrer no. 8010B
- 7 Connector no. 8210B
- 8 Wall anchor no. 75E
- 9 F wall angle no. 50F
- 10 Wall spring clip no. 5220
- 11 Rectangular tile

Cross section:

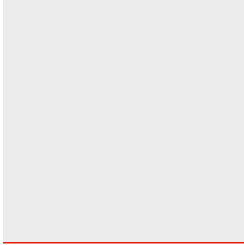


Technical data

Dimensions	Widths: 250 - 625 mm Lengths: 600 - 3000 mm
Material	Galvanised sheet steel, perforated version with glued-in black acoustic fleece
Colour	White (similar RAL 9003)
Fire behaviour	A2-s1,d0 in accordance with EN 13501-1
Edges	Long edge: 10 Short edge: 13
Thickness	Approx. 0.5–0.7 mm (depending on version)
Metal system	All metal parts galvanised or additionally coated white
Minimum suspension depth	Approx. 220 mm

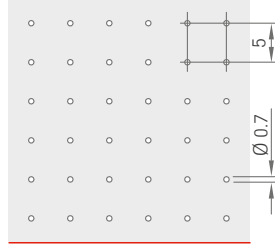
Perforations:

$\alpha_w = 0.05$ | NRC = 0.05



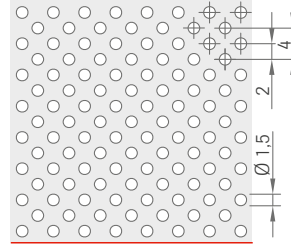
L0 un-perforated

$\alpha_w = 0.55$ | NRC = 0.55



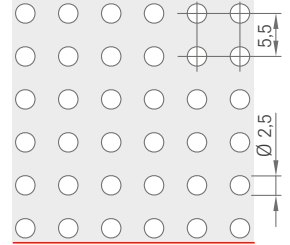
Rg0702
 \varnothing 0.7 mm
 2 % open area

$\alpha_w = 0.70$ | NRC = 0.70



Rd1522
 \varnothing 1.5 mm
 22 % open area

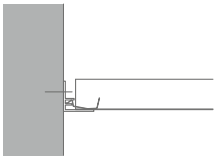
$\alpha_w = 0.8$ | NRC = 0.75



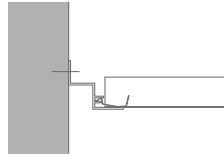
Rg2516
 \varnothing 2.5 mm
 16 % open area

Other perforations can be found in brochure no. 9391 e.

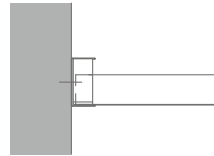
Wall perimeter:



L wall angle **no. 50F**
 aluminium, visible side white
 + wall spring clip no. 5220



F shadow wall angle **no. 5620F**
 aluminium, visible side white
 + wall spring clip no. 5220

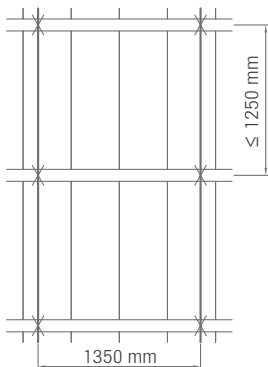


C wall angle **no. 57**
 steel, visible side white
 + wall spring clip no. 5210

For more perimeter options please consult OWAtecta Installation Guide no. 9303 e.

Installation example:

Raster 1250 x 400 mm



Tile length ≤	Main tee spacing T ≤	Hanger spacing A ≤
600 mm	1900 mm	1250 mm
625 mm	1875 mm	1250 mm
1250 mm	1350 mm	1250 mm
1500 mm	1200 mm	1500 mm
2000 mm	1050 mm	2000 mm
2500 mm	850 mm	2000 mm

You have to install the hangers on the intersections of the U profile and clip-in profile, not more than 100 mm apart. The maximum distance of the hangers is thus dependent on the length of the plates, but must not exceed a distance of 2000 mm.

For more information, see OWAtecta installation instructions no. 9303e .

Material needed per m² (indicative value):

tile dimensions in mm

No.	Description	1250 x 300	1500 x 300	2000 x 300	2500 x 300
1782E	Hanger	0.6 pce	0.6 pce	0.5 pce	1.2 pcs
70E	U profile	0.8 m	0.83 m	1 m	1.2 m
77E	Connector	0.21 pce	0.22 pce	0.27 pce	0.32 pce
7910E	Hanger	0.6 pce	0.6 pce	0.5 pce	0.5 pce
66E	Safety clip	1.2 pcs	1.2 pcs	1 pce	1.7 pcs
8010B	C bandraster	0.8 m	0.67 m	0.5 m	0.4 m
8210B	C bandraster connector	0.2 pce	0.16 pce	0.15 pce	0.1 pce
7510B	C bandraster wall anchor	Dependent on room size and shape			
75E	Wall anchor	Dependent on room size and shape			
50F	F wall angle	Dependent on room size and shape			
5220	Wall spring clip	Dependent on room size and shape			

Weight per m²:

	1250 x 300	1500 x 300	2000 x 300	2500 x 300
Suspension system approx.	2.46 kg/m ²	2.22 kg/m ²	2.01 kg/m ²	2.05 kg/m ²
Unperforated tiles approx.	6.40 kg/m ²	6.67 kg/m ²	7.65 kg/m ²	7.97 kg/m ²

Blue Angel

These products meet the Ecolabel requirements for „Low-emission thermal insulation and ceiling products designed for use in buildings, RAL UZ 132“

(October 2010 edition).



VOC emissions OWAtecta metal ceiling tiles

Appropriate for use in indoor spaces in accordance with the AgBB and the „approval principles regarding health assessments of construction products in indoor spaces“.

In clinical and hygienic-sensitive areas:
surface un-perforated (L0)



Please refer to OWA-brochure no. 9398 e and OWAtecta Installation Guide no. 9303 e for recommendations regarding classification and versions.

System description:

removable OWAconstruct system S 48

Quality requirements:

OWAtecta clip-in tiles are manufactured from galvanized sheet steel, available as un-perforated or perforated with bonded acoustic fleece, visible face white (similar RAL 9003). Regarding material characteristics, size and colour accuracy we follow our quality guidelines, which are on par with TAIM-guidelines (Association of Industrial Metal Ceiling Manufactureres) as well as EN 13964.

Special features can be found in the OWAtecta Installation Guide no. 9303 e.

Product warranties

The information provided in this leaflet is based on the standards and data available at the time of publication. Any performance, warranties or guarantees provided, expressed or implied, are subject to the exclusive use of OWA components and the installation of those components in accordance with our recommendations. Failure to adhere to these conditions will result in the invalidation of any performance claims, warranties or guarantees and rejection of any liability. OWA reserves the right to make any technical improvements to the products, systems or services without prior notice. **All goods and services are supplied in accordance with our current Terms and Conditions of Sale.** Errors excepted!

OWA

Odenwald Faserplattenwerk GmbH

Dr.-F.-A.-Freundt-Straße 3 | 63916 Amorbach | Germany

tel +49 9373 201-0 | info@owa.de

www.owa-ceilings.com