

## S19 linear baffle system



S19 linear is a premium, durable, rectangular metal baffle system available perforated or plain. Designed to be bolted to a primary L-runner and installed in rows to mask services above. Ideal for retail, offices, education, hospitality or any open plan spaces.

If you would like further information, please contact us via telephone or email:

T: +44(0)1753 552 489

E: [enquiries@owa-ceilings.co.uk](mailto:enquiries@owa-ceilings.co.uk)

[www.owa-ceilings.co.uk](http://www.owa-ceilings.co.uk)

**OWA**

# S19 linear baffle system

## Features:

- Premium quality, German engineered
- Contemporary design, few components, easy to instal
- Baffles can be spliced to create longer lengths, end caps available
- Demountability is limited, removal of baffle retaining nuts is required
- Wood surface effect or any RAL colour available

**Collection** OWAtecta

**Material** Galvanised steel or aluminium, approx. 0.6 to 0.7 mm

**Dimensions** Width = 25-100 mm, height = 100-300 mm, length = 500-3000 mm

**Surface\*** Plain L0 or perforated (acoustic fleece and pad available)

**Colour** Any RAL colour (MOQ may apply)

**Lighting** Integrated LED lighting is available

**Sound absorption\*** Rd1522 with acoustic pad:  $\alpha_W = 0.90$  (class A)  
Rd1522 with fleece:  $\alpha_W = 0.70$  (class C)

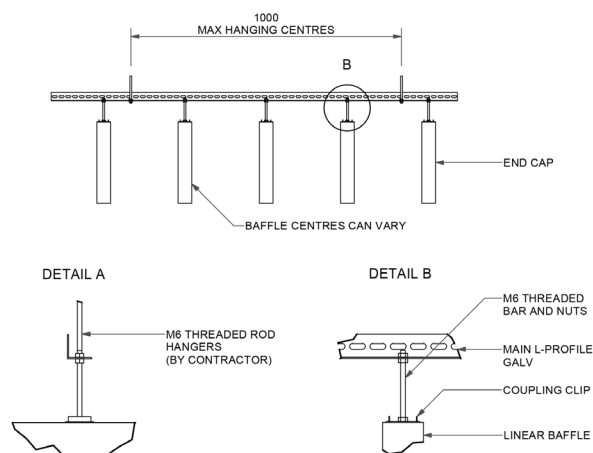
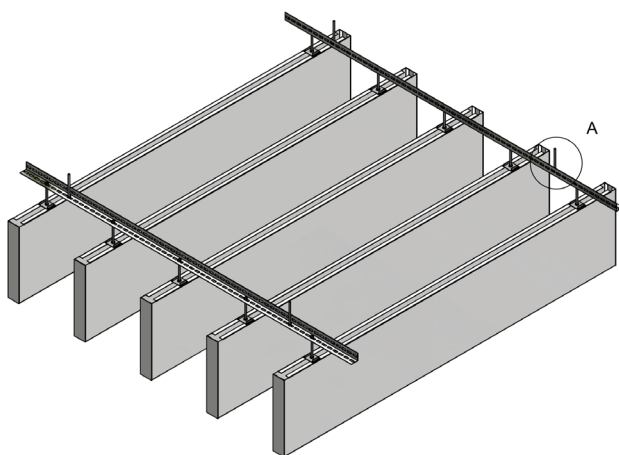
**Reaction to fire** A2-s1,d0 (BS EN 13501-1)

**System weight** Dependent on baffle size and centres

**Cleaning** Vacuum, wipe or dust only

**Sustainability** 100% recyclable

**Warranty** Baffle = 10 years, installed system = 30 years\*\*



\* Other perforations also available.

\*\* The limited warranty is project specific. To comply, an accompanying warranty document must be completed and signed by the installing contractor and OWA project manager. If not, the standard 10 year product warranty will apply.