

OWAtecta metal ceilings

Discover a new range of metal ceilings suitable for any application area. Innovative ceiling systems to enhance wellbeing – designed by OWA.

www.owa-ceilings.co.uk

OWA



German Ceiling Engineering

Our success story began in Bavaria, Germany on September 24, 1948. Driven by entrepreneurial courage and determination, we continuously develop our processes and products. Our brand OWA stands for innovative and sustainable ceiling systems for almost every industry, from **Education, Commercial, Sports & Leisure, Retail, Hotel & Catering, Healthcare to Manufacturing & Production.**

Ever since our company was founded, our philosophy has been to place the highest demands on modern design, optimal room acoustics as well as hygiene, resistance to humidity and purity, thereby actively supporting the intended room function. With mineral ceiling systems based on the high-quality Odenwald mineral wool produced directly in Bavaria, OWA is focused on delivering high performing products that last.

After decades of experience supplying high-quality ceiling systems internationally, OWA UK is now expanding its portfolio with a broad range of OWA tecta metal ceilings.

OWA at a glance

- Premium solutions focused on acoustics and design
- 70+ years of German ceiling engineering
- High quality products from mineral wool or metal materials
- Durable surfaces
- Easy to install

Contents

General Information.....	3
References.....	6
Perforations.....	12
Expanded metal.....	14

Systems

System S 22 clip-in swing down system - light duty.....	18
System S 22 clip-in security system - light duty.....	19
System S 32 clip-in swing down system - heavy duty.....	20
System S 32 L plank clip-in swing down system - heavy duty.....	21
System S 33 T24 lay-in system.....	22
System S 33 mesh lay-in system.....	23
System S 36 corridor systems.....	24
System S 39 hook-on system with Z profiles.....	25
System S 39 mesh hook-on system with Z profiles.....	26
System S 45 T15 lay-in system.....	27
System S 48 C bandraaster system.....	28
System S 60 wall absorber.....	29
OWAtecta canopies.....	30
Edge details.....	32
OWAconstruct index.....	34



OWA tecta metal ceilings

A versatile material for a multitude of applications

Porsche Center, Mannheim/Germany
System: S 33 lay-in, 1250 x 600 mm
Perforation: L0 unperforated
Colour: RAL 9006 (white aluminium)



OWAtecta metal ceilings offer a wide range of solutions to inspire designers through their creative diversity. Many installation configurations can be completed using OWAtecta metal ceiling systems - not only within new build developments but also as part of a renovation or refurbishment.

Moreover, OWAtecta provides a range of metal ceilings that have been specifically developed and tested to meet the demands of special applications such as hospitals, clinics and cleanroom production areas.





Campus W&W Insurances Kornwestheim, Germany

System: S 39 hook-on system with Z profiles, various dimensions

Perforation: L0 unperforated, Rg1511 (round hole \varnothing 1.5 mm, 11 % open area)

Colour: RAL 9010

Architects:

Ortner & Ortner Baukunst, Berlin/Germany



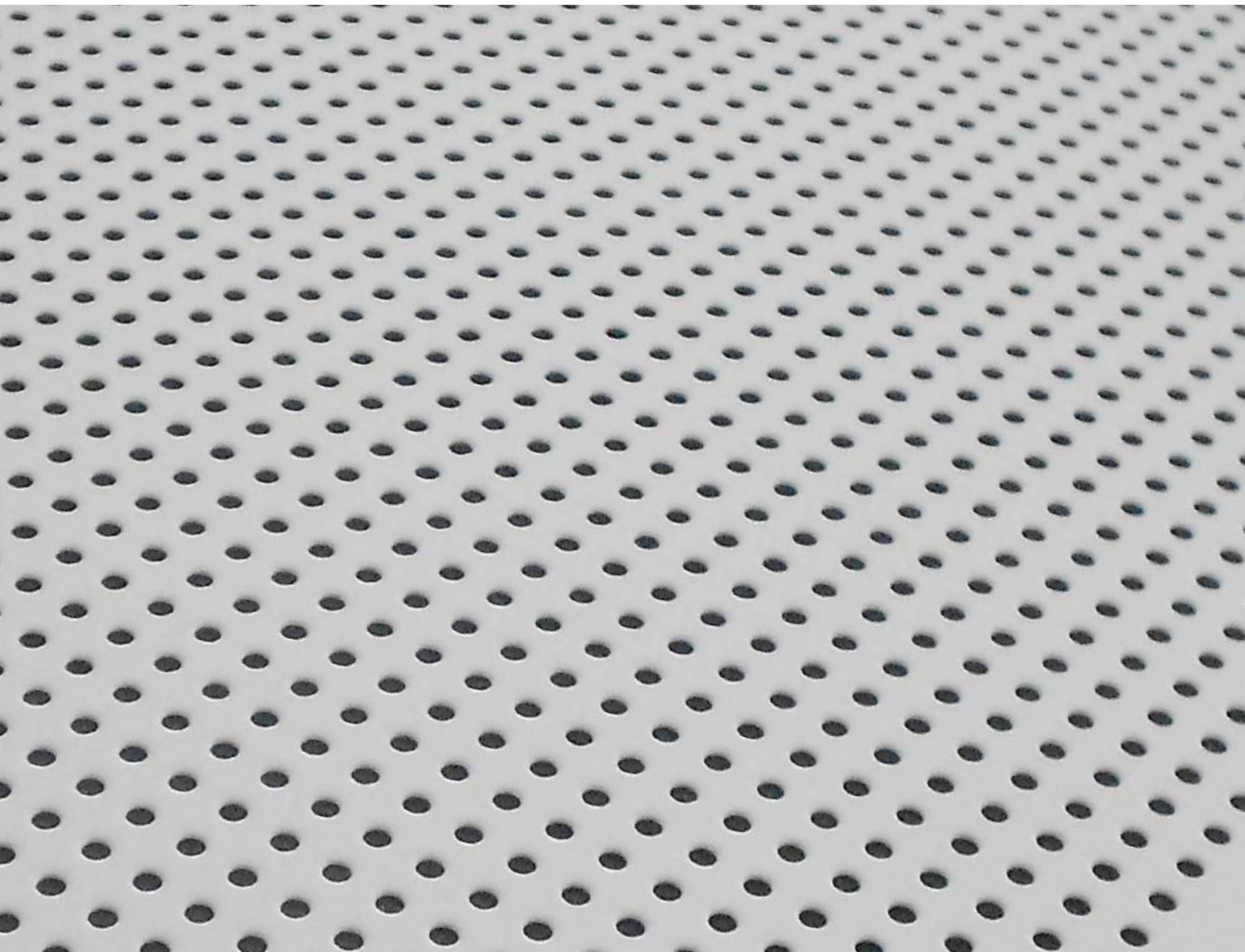


Headquarters Debeka Insurances Koblenz, Germany

System: S 48 C bandraster, modulé 1200 x 600 mm

Perforation: Rg2516 (round hole \varnothing 2.5 mm, 16 % open area)

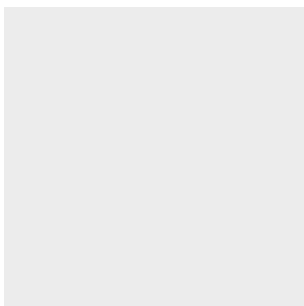
Colour: RAL 7032 (bandraster), RAL 9010 (tiles)



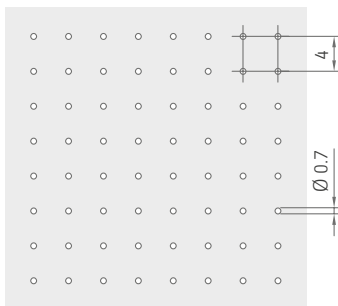
Perforations

OWAtecta metal tiles are available with different perforation patterns depending on acoustic requirements and desired aesthetics.

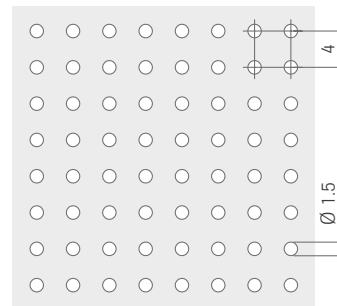
Standard perforation patterns



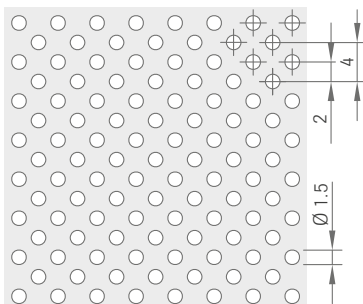
L0 unperforated



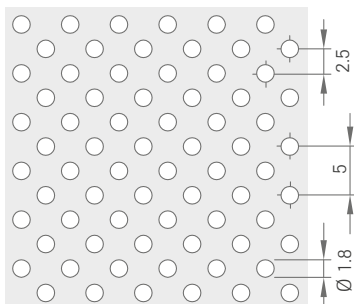
Rg0702
 $\text{Ø} = 0.7 \text{ mm}$
 2 % open area



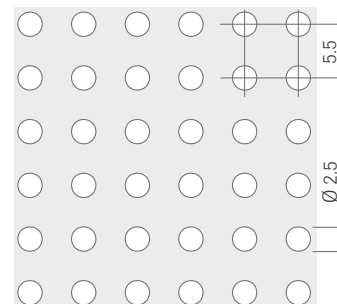
Rg1511
 $\text{Ø} = 1.5 \text{ mm}$
 11 % open area



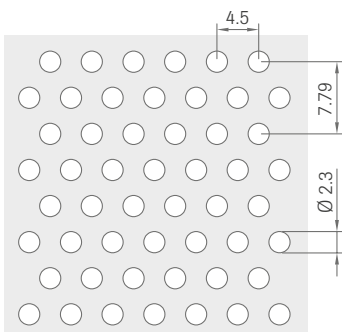
Rd1522
 $\text{Ø} = 1.5 \text{ mm}$
 22 % open area



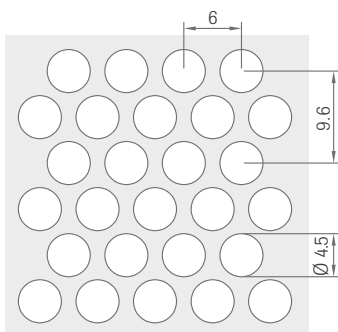
Rd1820
 $\text{Ø} = 1.8 \text{ mm}$
 20 % open area



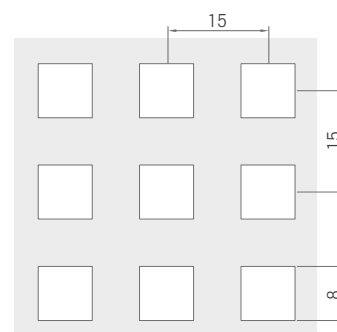
Rg2516
 $\text{Ø} = 2.5 \text{ mm}$ –
 16 % open area



Rv2323
 $\text{Ø} = 2.3 \text{ mm}$
 23 % open area



Rv4555
 $\text{Ø} = 4.5 \text{ mm}$
 55 % open area



Qg8028
 8 x 8 mm
 28 % open area

Other perforations available on request.
 Perforated tiles include a black acoustic fleece.

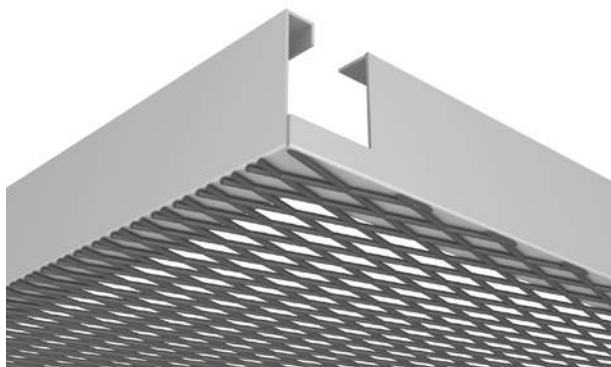
A close-up, high-angle photograph of a white expanded metal mesh. The mesh consists of a series of interconnected, wavy lines that form a repeating diamond-like pattern. The lighting creates strong highlights and shadows, emphasizing the three-dimensional texture of the metal. The background is dark, making the white mesh stand out.

Expanded metal

For even more creative options, OWAtecta tiles/panels are available in a range of expanded mesh patterns and edge types.

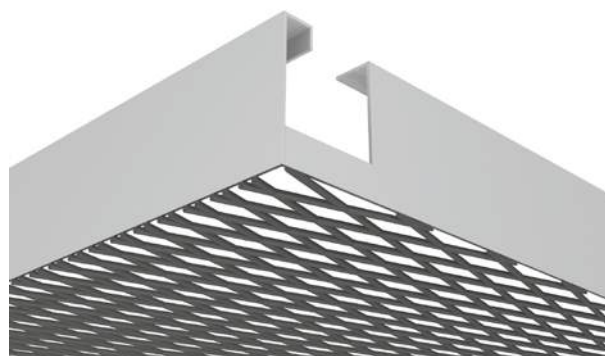
Panel types

Type D



Panel with L-shaped frame, mesh welded to visible face of frame return from below. Available as hook-on or lay-in.

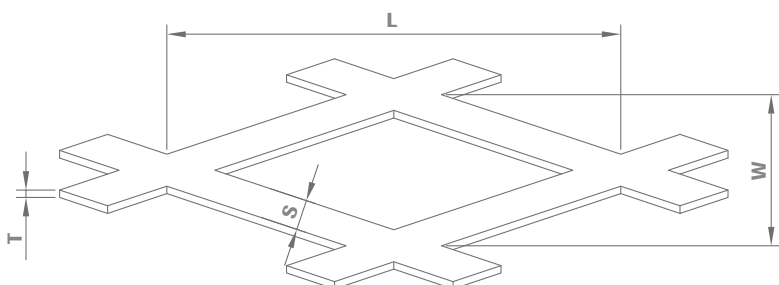
Type E



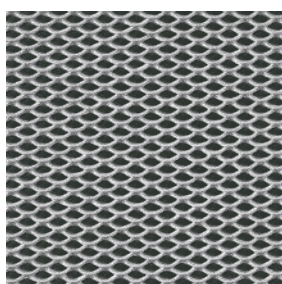
Panel with borderless frame, mesh welded to perimeter of frame. Available as hook-on or lay-in.

Standard mesh patterns

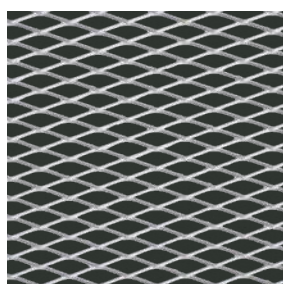
Diamond shape



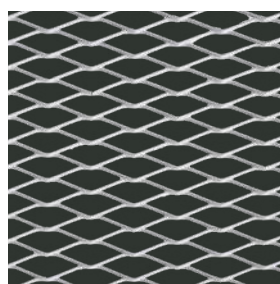
L = Length
W = Width
S = Strand width
T = Thickness



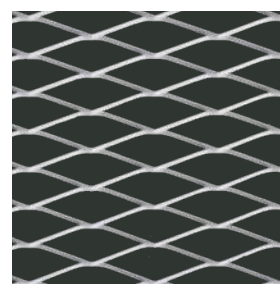
Mesh R 16x8
75 % open area
Strand width 1,0 mm
Thickness 1,0 mm



Mesh R 30x10
60 % open area
Strand width 2,0 mm
Thickness 1,0 mm



Mesh R 42x13
69 % open area
Strand width 2,0 mm
Thickness 1,0 mm



Mesh R 60x20
70 % open area
Strand width 3,0 mm
Thickness 1,0 mm

Other mesh patterns available on request.
All mesh supplied as unflattened.



OWAtecta
Metal ceiling product portfolio

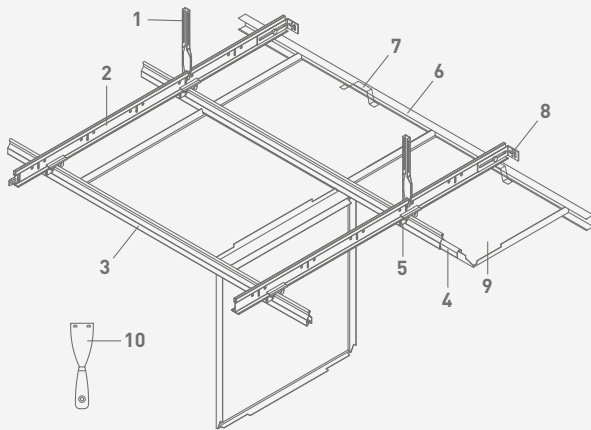




System S 22 clip-in swing down system - light duty | concealed

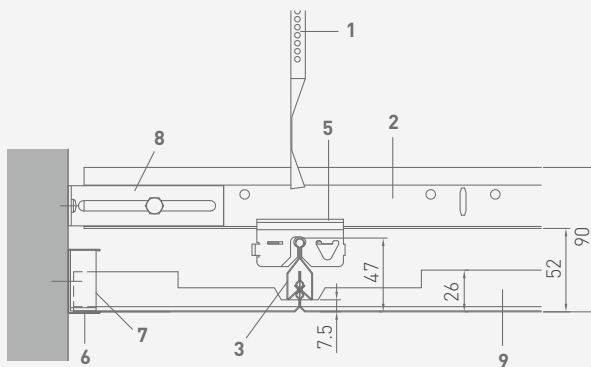


Isometric view



- 1 Nonius hanger no. 17/45, hanger extension no. 16/... and safety pin no. 76 (2 pcs.)
- 2 Main tee no. 45
- 3 Clip-in profile no. 87B
- 4 Connector for clip-in profile no. 88E
- 5 Cross connector no. 93C
- 6 C wall angle no. 57
- 7 Wall spring no. 5210
- 8 Wall anchor no. 75E
- 9 Metal tile
- 10 Unclip tool no. 99006

Section view



Technical data

Dimensions	600 x 600 mm
Thickness	Galvanized sheet steel approx. 0.6 mm
Colour	RAL 9010 pure white (other RAL colours on request)
Edge detail ¹	01
Perforations ²	All perforations possible. Popular patterns include Rd1522 and Rg2516.

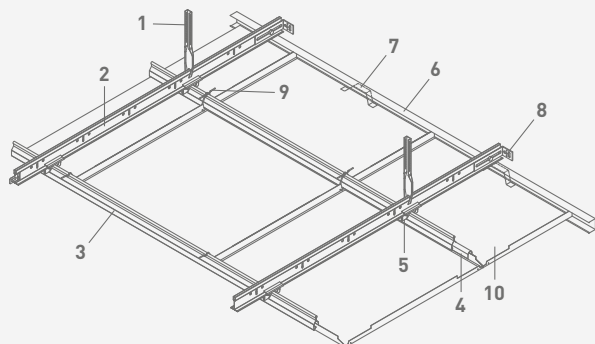
¹ Edges: see page 32 | ² Perforations: see page 13. | For further details, please see [OWA brochure no. 9332_e](#)



System S 22 clip-in security system - light duty | concealed

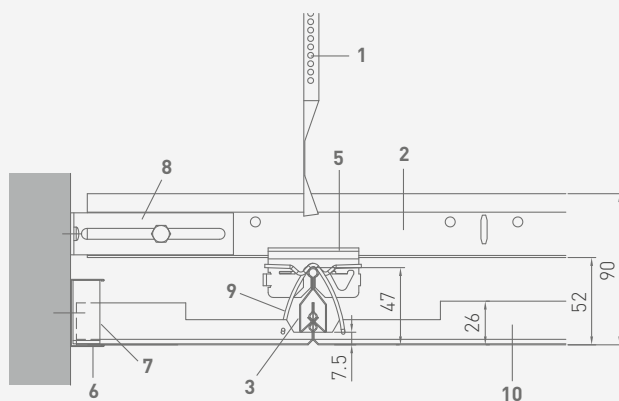


Isometric view



- 1 Nonius hanger no. 17/45, hanger extension no. 16/... and safety pin no. 76 (2 pcs.)
- 2 Main tee no. 45
- 3 Clip-in profile no. 87B
- 4 Connector for clip-in profile no. 88E
- 5 Cross connector no. 93C
- 6 C wall angle no. 57
- 7 Wall spring no. 5210
- 8 Wall anchor no. 75E
- 9 Security clip no. 68
- 10 Metal tile

Section view



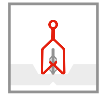
Technical data

Dimensions	600 x 600 mm
Thickness	Galvanized sheet steel approx. 0.6 mm
Colour	RAL 9010 pure white (other RAL colours on request)
Edge detail ¹	01
Perforations ²	All perforations possible. Popular patterns include Rd1522 and Rg2516.

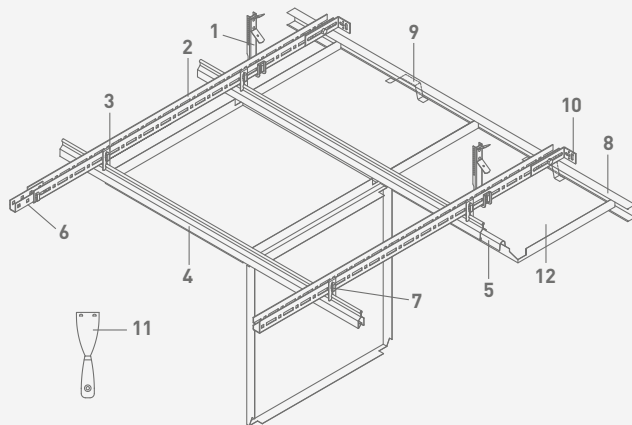
¹ Edges: see page 32 | ² Perforations: see page 13. | For further details, please see [OWA brochure no. 9332_e](#)



System S 32 clip-in swing down system - heavy duty | concealed

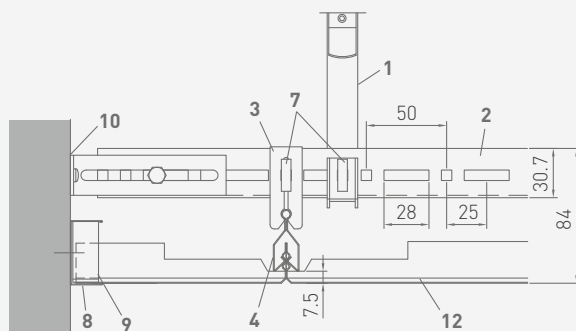


Isometric view



- 1 Hanger no. 1782E, hanger extension no. 16/... and safety pin no. 76 (2 pcs.)
- 2 U profile no. 70E
- 3 Hanger no. 11E
- 4 Clip-in profile no. 87B
- 5 Connector no. 88E
- 6 Connector no. 77E
- 7 Safety clip no. 66E
- 8 C wall angle no. 57
- 9 Wall spring no. 5210
- 10 Wall anchor no. 75E
- 11 Unclip tool no. 99006
- 12 Metal tile

Section view



Technical data

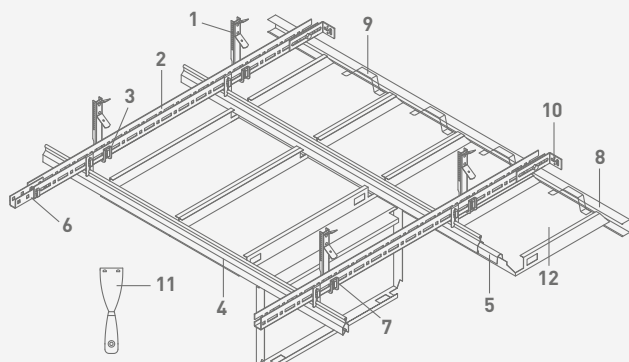
Dimensions	600 x 600 mm
Thickness	Galvanized sheet steel approx. 0.6 mm
Colour	RAL 9010 pure white (other RAL colours on request)
Edge detail ¹	01
Perforations ²	All perforations possible. Popular patterns include Rd1522 and Rg2516.

¹ Edges: see page 32 | ² Perforations: see page 13. | For further details, please see [OWA brochure no. 9331_e](#)

System S 32 L plank clip-in swing down system - heavy duty | concealed

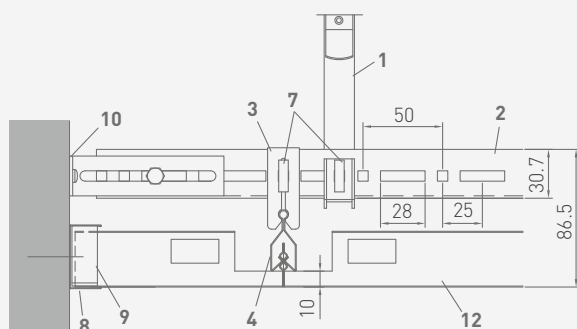


Isometric view



- 1 Hanger no. 1782E, hanger extension no. 16/... and safety pin no. 76 (2 pcs.)
- 2 U profile no. 70E
- 3 Hanger no. 11E
- 4 Clip-in profile no. 87B
- 5 Connector no. 88E
- 6 Connector no. 77E
- 7 Safety clip no. 66E
- 8 C wall angle no. 57
- 9 Wall spring no. 5210
- 10 Wall anchor no. 75E
- 11 Unclip tool no. 99006
- 12 Metal plank

Section view



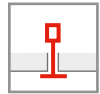
Technical data

Dimensions	Width 250 - 600 mm length 600 - 2500 mm large format planks on request
Thickness	Galvanized sheet steel approx. 0.5 - 0.7 mm (depending on the version)
Colour	Any RAL colour on request
Edge detail ¹	Long edge: 10, short edge: 02s
Perforations ²	All perforations possible

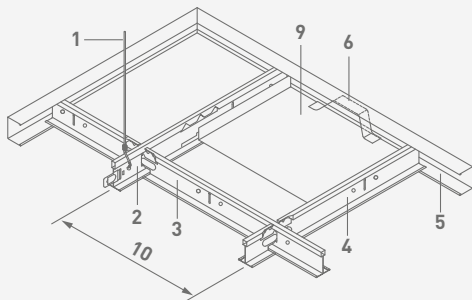
¹ Edges: see page 32 | ² Perforations: see page 13. | For further details, please see [OWA brochure no. 9331_e](#)



System S 33 T24 lay-in system

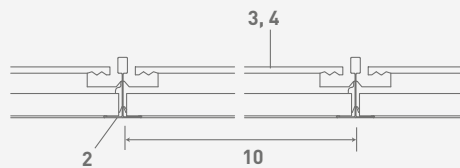
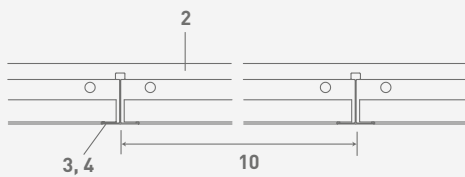


Isometric view

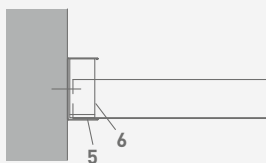


- 1 Hanger
- 2 Main tee no. 45
- 3 Cross tee no. 47
- 4 Cross tee no. 46
- 5 C wall angel no. 57
- 6 Wall spring no. 5210
- 7 Shadow wall angle no. 50/15
- 8 Wall clip no. 99010
- 9 Metal tile
- 10 Module distance

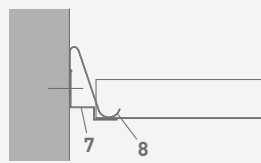
Section view



Wall perimeter



C wall angle no. 57
steel, visible side white



Shadow wall angle no. 50/15
steel, visible side white

Technical data

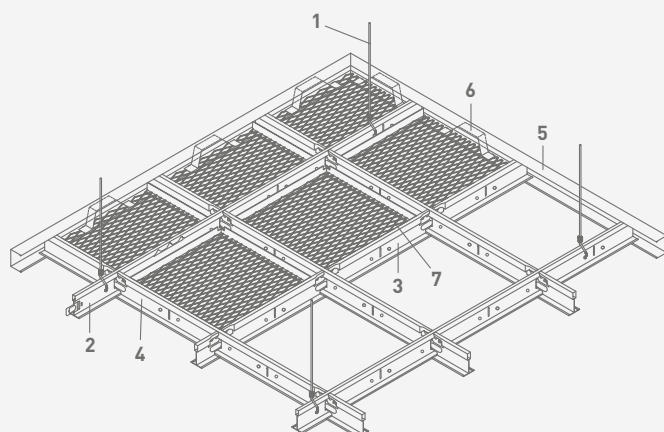
Dimensions	600 x 600 mm
Thickness	Galvanized sheet steel approx. 0.5 mm
Colour	OWA white (similar to RAL 9003). Other RAL colours on request
Edge details ¹	03, 06
Perforations ²	All perforations possible. Popular patterns include Rd1522 and Rg2516.

¹ Edges: see page 32 | ² Perforations: see page 13. | For further details, please see [OWA brochure no. 9333 e](#)

System S 33 mesh lay-in system | for 24 mm T profile

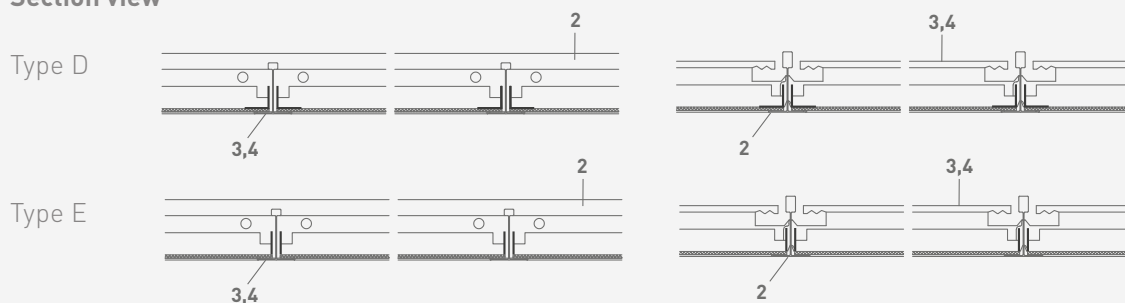


Isometric view

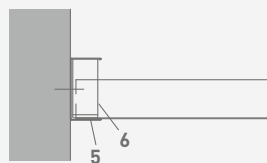


- 1 Hanger
- 2 Main tee no. 45
- 3 Cross tee no. 46
- 4 Cross tee no. 47
- 5 C wall angle no. 57
- 6 Wall spring no. 5210
- 7 Mesh tile

Section view



Wall perimeter



C wall angle no. 57
steel, visible side white

Technical data

Dimension	600 x 600 mm
Mesh patterns ²	R 16x8 R 30x10 R 42x13 R 60x20
Mesh shape	Diamond
Colour	OWA white (similar to RAL 9003). Other RAL colours on request
Edge details ¹	03
Panel types ²	Type D: with L-shaped frame Type E: with borderless frame

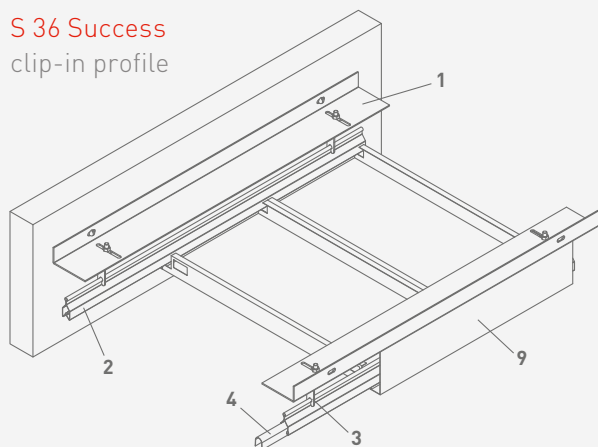
¹ Edges: see page 32 | ² For panel types and mesh patterns please see page 15.



System S 36 corridor systems

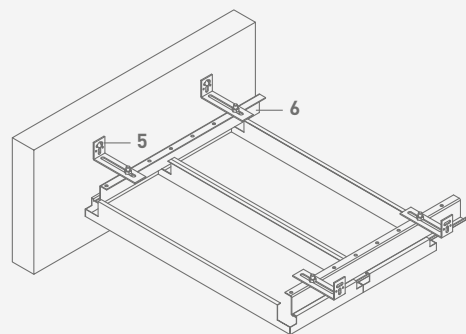
Isometric views

S 36 Success clip-in profile

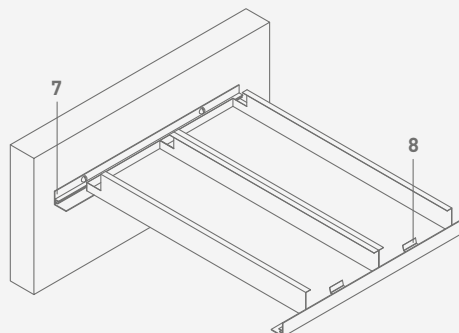


- 1 Carrier angle no. 5110
- 2 Clip-in rail no. 87B
- 3 Hanger no. 1387E
- 4 Connector no. 88E
- 5 Wall anchor no. 75E
- 6 Z profile no. 90E01
- 7 Wall angle no. 50F
- 8 Wall spring no. 5220
- 9 Covering profile

S 36 Progress Z profile



S 36 Lay on F profile



Wall anchor no. 75E and carrier angle no. 5110 are interchangeable for S 36 Success and S 36 Progress.

Technical data

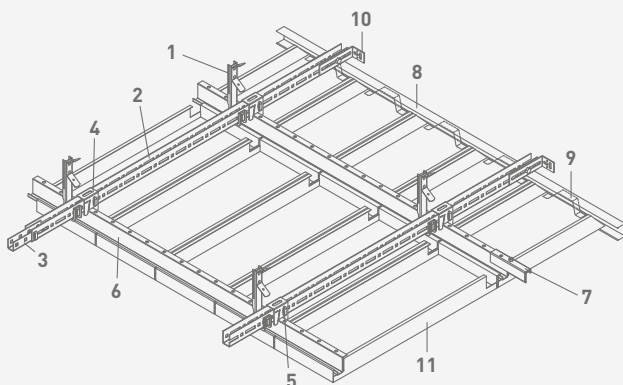
Dimensions	Width 250 - 600 mm length 600 - 3000 mm (Success: max length 2500 mm) large format planks on request
Thickness	Galvanized sheet steel approx. 0.5 - 0.7 mm (depending on the version)
Colour	Any RAL colour on request
Edge details ¹	Success: long edge: 10, short edge: 02s Progress: long edge: 10, short edge: 11s Lay on: long edge 10, short edge 03
Perforations ²	All perforations possible

¹ Edges: see page 32 | ² Perforations: see page 13. | For further details, please see [OWA brochure no. 9336_e](#)

System S 39 hook-on system with Z profiles | tiles demountable

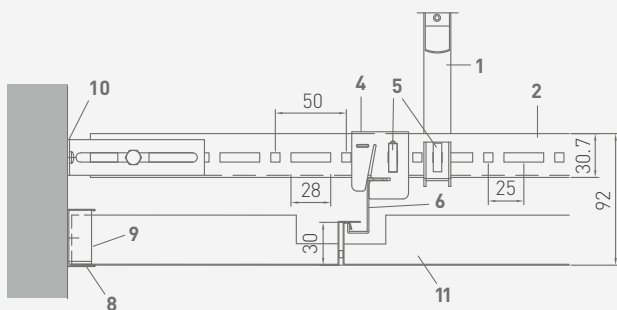


Isometric view



- 1 Hanger no. 1782E, hanger extension no. 16/... and safety pin no. 76 (2 pcs.)
- 2 U profile no. 70E
- 3 Connector no. 77E
- 4 Hanger no. 12E02
- 5 Safety clip no. 66E
- 6 Z profile no. 90E01
- 7 Connector no. 25E
- 8 C wall angle no. 57
- 9 Wall spring no. 5210
- 10 Wall anchor no. 75E
- 11 Metal plank

Section view



Technical data

Dimensions	Width 250 - 600 mm length 600 - 3000 mm large format planks on request
Thickness	Galvanized sheet steel approx. 0.5 - 0.7 mm (depending on the version)
Colour	Any RAL colour on request
Edge details ¹	Long edge: 10, short edge: 11
Perforations ²	All perforations possible

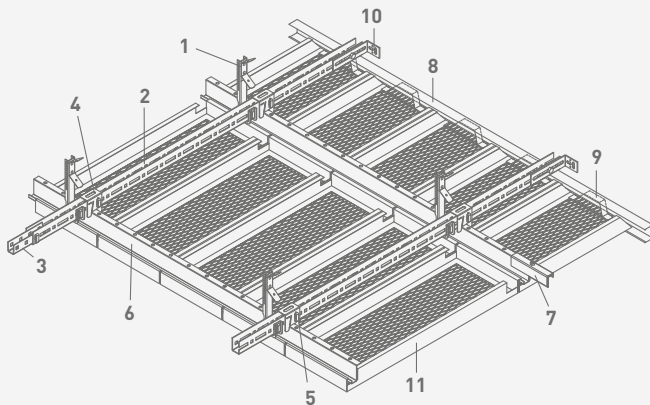
¹ Edges: see page 32 | ² Perforations: see page 13. | For further details, please see [OWA brochure no. 9339_e](#)



System S 39 mesh hook-on system with Z profiles | tiles demountable



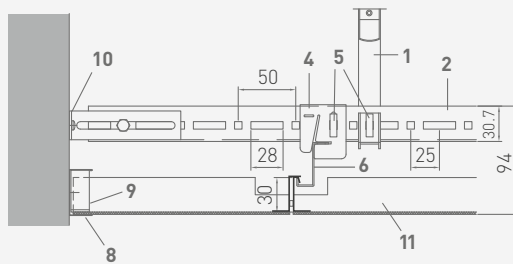
Isometric view



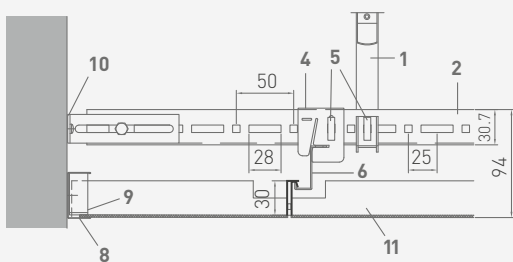
- 1 Hanger no. 1782E, hanger extension no. 16/... and safety pin no. 76 (2 pcs.)
- 2 U profile no. 70E
- 3 Connector no. 77E
- 4 Hanger no. 12E02
- 5 Safety clip no. 66E
- 6 Z profile no. 90E01
- 7 Connector no. 25E
- 8 C wall angle no. 57
- 9 Wall spring no. 5210
- 10 Wall anchor no. 75E
- 11 Metal plank

Section view

Type D



Type E



Technical data

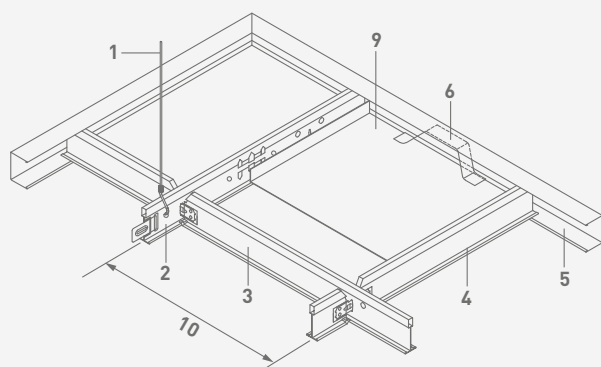
Dimension	Metal planks: width 250-600 mm length 600 - 2500 mm
Mesh patterns ²	R 16x8 R 30x10 R 42x13 R 60x20
Mesh shape	Diamond
Colour	Any RAL colour on request
Edge details ¹	Long edge: 10, short edge: 11
Panel types ²	Type D: with L-shaped frame Type E: with borderless frame

¹ Edges: see page 32 | ² For panel types and mesh patterns please see page 15.

System S 45 T15 lay-in system

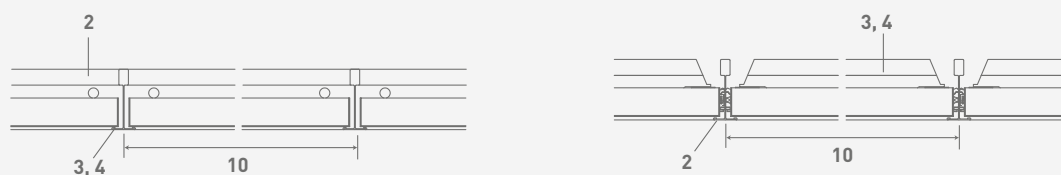


Isometric view

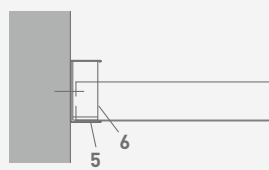


- 1 Hanger
- 2 Main tee cliq-15-MR
- 3 Cross tee long cliq-15-CT
- 4 Cross tee short cliq-15-CT
- 5 C wall angle no. 57
- 6 Wall spring no. 5210
- 7 Shadow wall angle no. 50/15
- 8 Wall clip no. 99010
- 9 Metal tile
- 10 Module distance

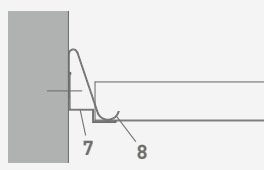
Section view



Wall perimeter



C wall angle no. 57
steel, visible side white



Shadow wall angle no. 50/15
steel, visible side white

Technical data

Dimensions	600 x 600 mm
Thickness	Galvanized sheet steel approx. 0.5 mm
Colour	RAL 9010 pure white (other RAL colours on request)
Edge details ¹	03, 16
Perforations ²	All perforations possible. Popular patterns include Rd1522 and Rg2516.

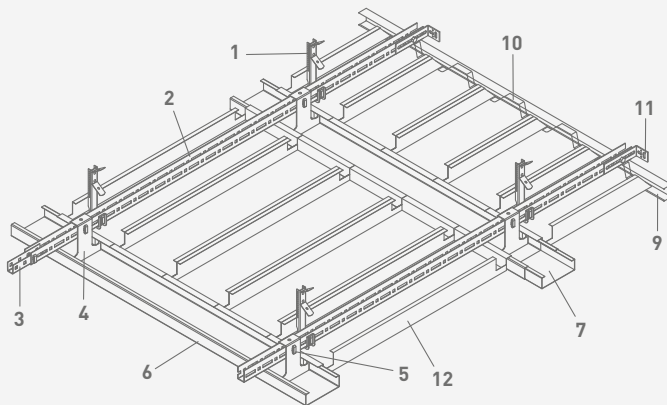
¹ Edges: see page 32 | ² Perforations: see page 13. | For further details, please see [OWA brochure no. 9333 e](#)



System S 48 C bandraster system | tiles demountable

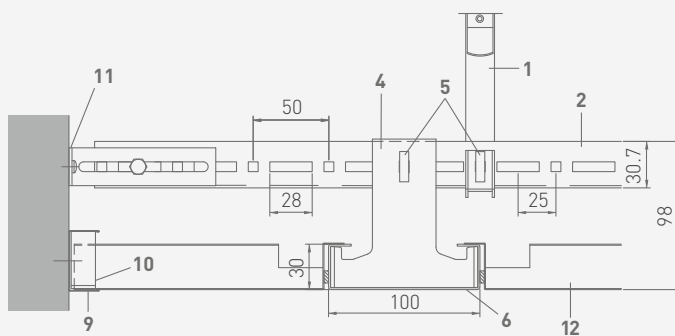


Isometric view



- 1 Hanger no. 1782E, hanger extension no. 16/... and safety pin no. 76 (2 pcs.)
- 2 U profile no. 70E
- 3 Connector no. 77E
- 4 Hanger no. 7910E
- 5 Safety clip no. 66E
- 6 C channel no. 8010
- 7 Connector no. 8210B
- 8 Wall anchor no. 7510B (not shown)
- 9 C wall angle no. 57
- 10 Wall spring no. 5210
- 11 Wall anchor no. 75E
- 12 Metal plank

Section view



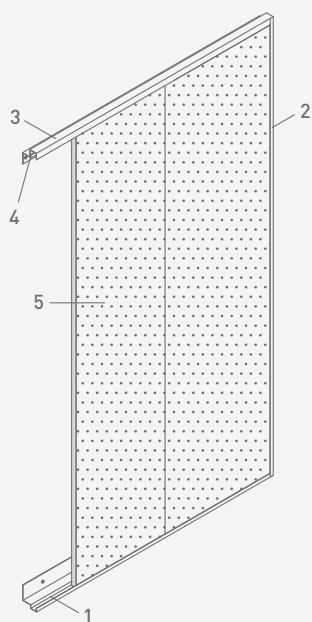
Technical data

Dimensions	Metal planks: width 250 - 600 mm length 600 - 3000 mm module distance: up to 3200 mm
Thickness	Galvanized sheet steel approx. 0.5 - 0.7 mm (depending on the version)
Colour	Any RAL colour on request
Edge details ¹	Long edge: 10, short edge: 13
Perforations ²	All perforations possible

¹ Edges: see page 32 | ² Perforations: see page 13. | For further details, please see [OWA brochure no. 9348 e](#)

System S 60 wall absorber | magnetic pin-board

Isometric view



- 1 Bottom frame profile, length: 1990 mm
- 2 Side frame profile, length: 1518 mm
- 3 Top frame profile, length: 1990 mm
- 4 Sealing tape
- 5 Single element

Section view



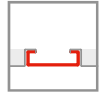
Technical data

Dimensions	Standard module size: width 2016 mm x height 1518 mm (optionally expandable) Single panel: 1500 x 400 mm other sizes available on request
Thickness	Metal plank: galvanized sheet steel approx. 0.6 mm Mineral plank: approx. 15 mm
Colour	Any RAL colour on request
Edge detail ¹	10
Perforation ²	Rg2516

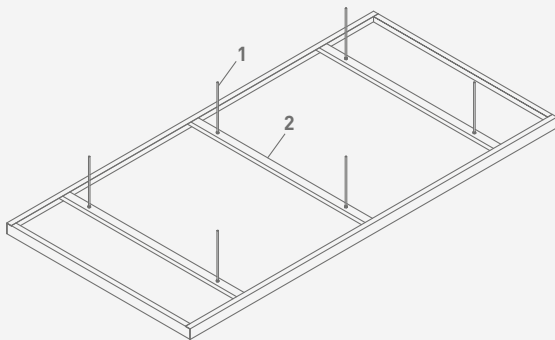
¹ Edges: see page 32 | ² Perforations: see page 13 (other perforations have an MOQ of 70 m²). | For further details, please see [OWA brochure no. 9366 e](#)



OWAtecta canopies

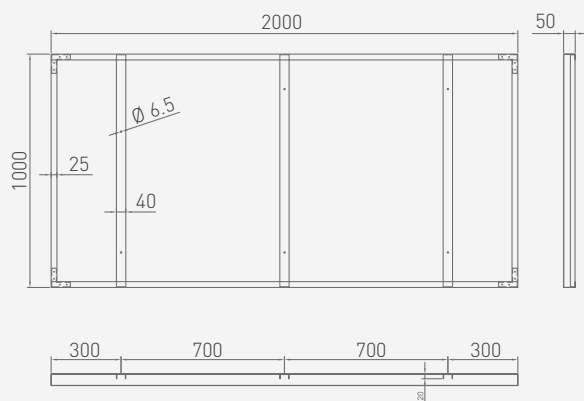


Isometric view



- 1 Threaded rod (by client)
- 2 Cross brace

Section view

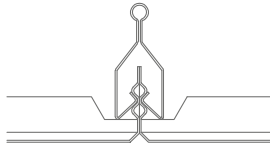


Technical data

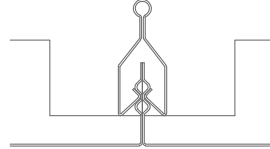
Dimensions	1000 x 1000 mm, 1800 x 1000 mm, 2000 x 1000 mm, 1500 x 750 mm other sizes available on request
Thickness	1.0 mm
Colour	Any RAL colour on request
Edge details ¹	Square edge (03)
Inlay	Black fleece with 30 mm wrapped rock wool acoustic pad (40 kg/m ³)
Perforations ²	All perforations possible. Popular patterns include Rd1522 and Rg2516.

¹ Edges: see page 32 | ² Perforations: see page 13. | For further details, please see [OWA brochure no. 9332_e](#)

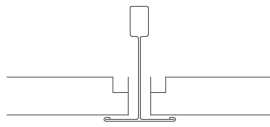
Standard edge profiles



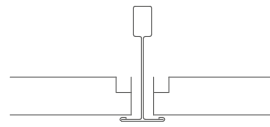
Edge 01 (beveled)
for clip-in profile



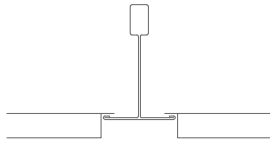
Edge 02s (sharp-edged)
for clip-in profile



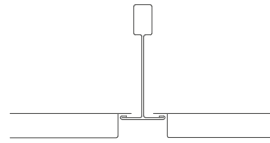
Edge 03
for 24 mm T profile



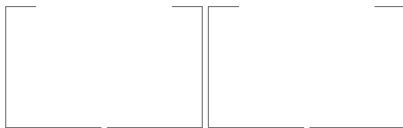
Edge 03
for 15 mm T profile



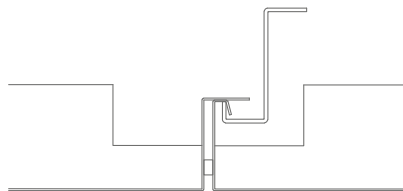
Edge 06
for 24 mm T profile



Edge 16
for 15 mm T profile



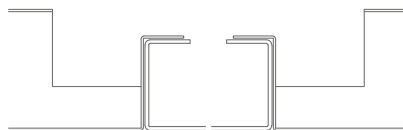
Edge 10
C bending



Edge 11
for Z profile

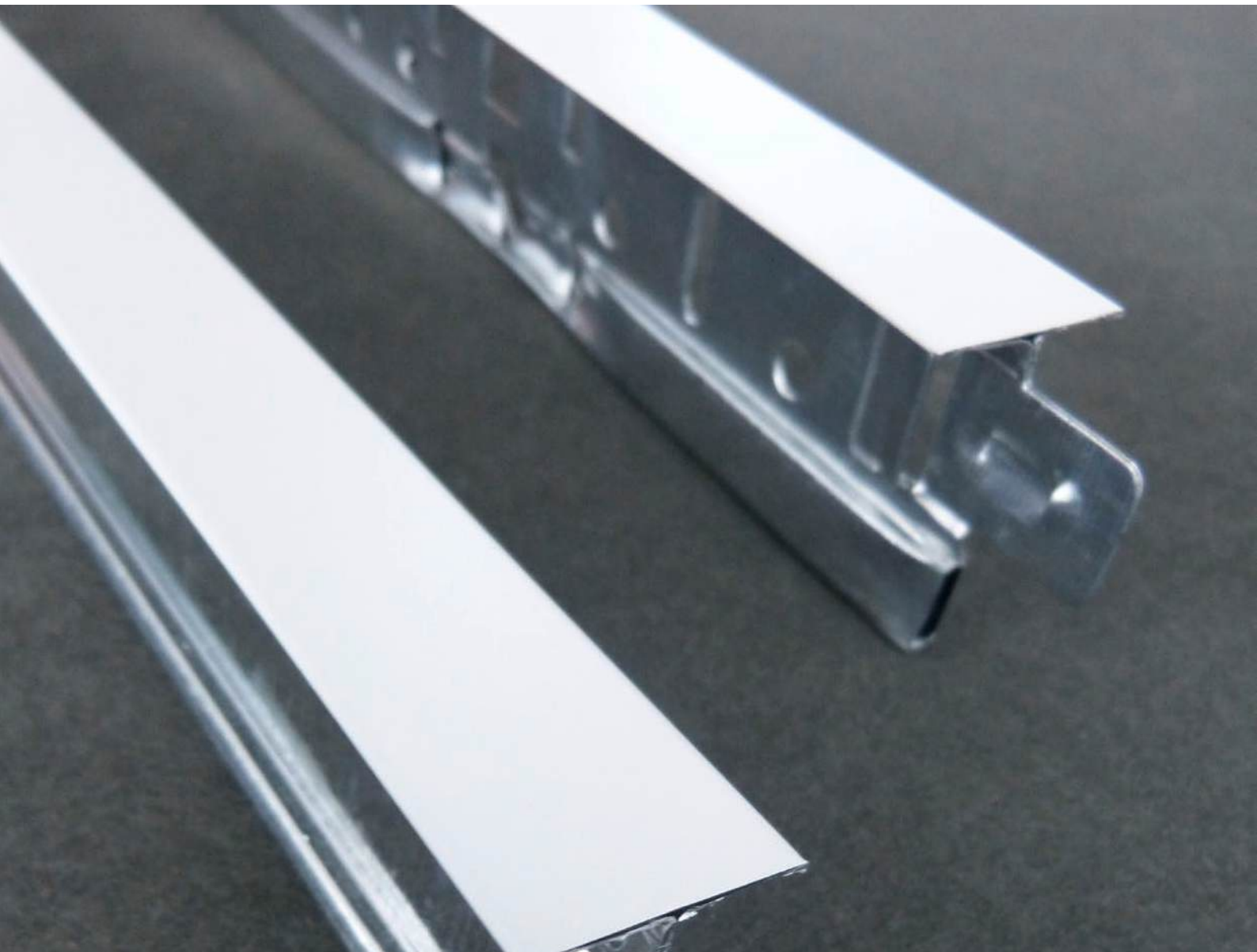


Edge 11s
for Z profile



Edge 13
for C channel





OWAconstruct accessories index

Illustration	Description	Dimension/surface	Units/pack
	cliq-15-MR Main tee	Height: 38 mm width: 15 mm length: 3000 mm visible side: RAL 9010	20 pieces
	cliq-15-CT Cross tee short, joggled	Height: 38 mm width: 15 mm length: 600 mm visible side: RAL 9010	60 pieces
	cliq-15-CT Cross tee long, joggled	Height: 38 mm width: 15 mm length: 1200 mm visible side: RAL 9010	60 pieces
	cliq-24-MR Main tee	Height: 38 mm width: 24 mm length: 3600 mm visible side: OWA white	20 pieces
	cliq-24-CT Cross tee short, joggled	Height: 25 mm width: 24 mm length: 600 mm 625 mm visible side: OWA white	60 pieces
	cliq-24-CT Cross tee long, joggled	Height: 32 mm width: 24 mm length: 1200 mm 1250 mm visible side: OWA white	60 pieces
	cliq-24-CT Cross tee short, joggled	Height: 25 mm width: 24 mm length: 300 mm 312.5 mm visible side: OWA white	60 pieces
	09E87 Direct fix bracket	Length: 90 mm galvanized suspension depth from 65 to 135 mm	100 pieces
	11E Hanger	Height: 52 mm width: 20 mm galvanized	100 pieces
	12E02 Hanger for Z main profile	Height: 45 mm width: 25 mm galvanized	100 pieces

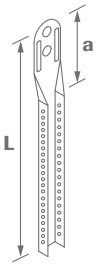
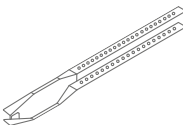
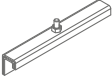


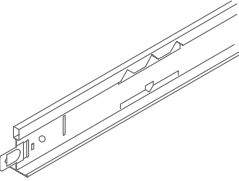
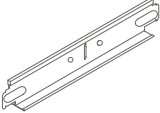

Illustration	Description	Dimension/surface	Units/pack
	16/... Abhänger-Verlängerung (Nonius) passend zu Nr. 17/..., 79/..., 09/45 und 09/10	Galvanised also available in longer lengths on request to no. 16/100 170 mm perforated from no. 16/110 200 mm perforated L approx. a approx.	
	16/15	140 mm 55 mm	100 pieces
	16/20	190 mm 55 mm	100 pieces
	16/30	290 mm 55 mm	100 pieces
	16/40	390 mm 55 mm	100 pieces
	16/50	490 mm 55 mm	100 pieces
	16/60	590 mm 55 mm	100 pieces
	16/70	690 mm 55 mm	100 pieces
	16/80	790 mm 55 mm	100 pieces
	16/90	890 mm 55 mm	100 pieces
	16/100	990 mm 55 mm	100 pieces
	16/110	1090 mm 55 mm	25 pieces
	16/120	1190 mm 55 mm	25 pieces
	16/130	1290 mm 55 mm	25 pieces
	16/140	1390 mm 55 mm	25 pieces
	16/150	1490 mm 55 mm	25 pieces
	16/160	1590 mm 55 mm	25 pieces
	16/170	1690 mm 55 mm	25 pieces
	16/180	1790 mm 55 mm	25 pieces
	16/190	1890 mm 55 mm	25 pieces
16/200	1990 mm 55 mm	25 pieces	
	17/45 Hanger for no. 45 and cliq-15-MR	Length: 180 mm galvanized maximum load: 0.40 kN	100 pieces
	25E Connecting Z profile	Length: 140 mm	100 pieces
	42/15K8 Contura block for system S 45, K 16	Width: 15 mm height: 8 mm	100 pieces
	42/24K8 Contura block for system S 33, K 07	Width: 24 mm height: 8 mm	100 pieces
	45 Main tee	Height: 38 mm width: 24 mm length: 3700 mm visible side: OWA white	25 pieces
	46 Cross tee	Height: 32 mm width: 24 mm length: 600 mm visible side: OWA white	75 pieces
	47 Cross tee	Height: 32 mm width: 24 mm length: 1200 mm visible side: OWA white	50 pieces
	50F F wall angle aluminium	Height: 25 mm width: 25 mm length: 3000 mm thickness: 1.2 mm visible side: powder coated white (OWA white or RAL 9010)	1 pieces

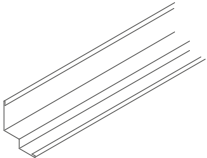
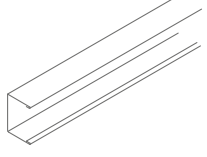
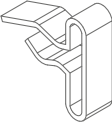

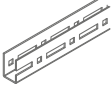



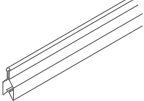

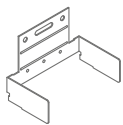
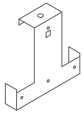
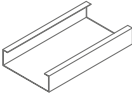
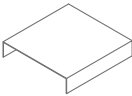
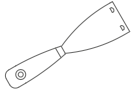


Illustration	Description	Dimension/surface	Units/pack
	50/15 Wall angle steel	Height: 33 mm total width: 30 mm visible width: 15 mm length: 3050 mm visible side: OWA white, RAL 9010	35 pieces
	57 Wall angle C shaped	Height: 40 mm width: 20 mm length: 3050 mm visible side: OWA white, RAL 9010	16 / 32 pieces
	66E Safety clip	galvanized	100 pieces
	68 Security clip	Ø 2 mm galvanized	100 pieces
	70E U profile	Height: 30.7 mm thickness: 1.5 mm length: 3750 mm galvanized	10 pieces
	75E Wall anchor	Length: 97 mm height: 25 mm width: 35 mm galvanized	100 pieces
	76 Safety pin	Length: 70 mm thickness: 30 mm galvanized	100 pieces
	77E Connector main tee	Length: 95 mm galvanized	100 pieces
	87B Clip-in profile	Length: 4000 mm height: 38 mm width: 16 mm galvanized	bunch 10 pieces
	88E Connector for clip-in profile	Length: 108 mm galvanized	100 pieces

Illustration	Description	Dimension/surface	Units/pack
	90E01 (perforated) Z main tee	Length: 3000 mm width: 28 mm height: 38 mm thickness: 1.25 mm galvanized	10 pieces perforated
	93C Cross connector	Length: 54 mm height: 29 mm width: 26 mm galvanized	100 pieces
	1287E Adjustable hanger for clip-in profile no. 87B	Length: 120 mm width: 25 mm galvanized	100 pieces
	1387E Hanger	Length: 58 mm width: 15 mm galvanized	100 pieces
	1782E Nonius hanger lower section	Length: 135 mm galvanized hanger for nonius and wire	100 pieces
	1787S Nonius lower section for clip-in profile no. 87B	Length: 190 mm galvanized	100 pieces
	5110 Carrier angle	Length: 3000 mm height: 30 mm width: 70 mm visible side: powder coated black	4 pieces
	5210 Wall spring clip	Width: 16 mm length: 82 mm	500 pieces
	5620F F shadow wall angle aluminium	Total height: 40 mm joint depth: 20 mm total width: 45 mm visible width: 25 mm thickness: 1.2 mm length: 3000 mm visible side: powder coated white (OWA white or RAL 9010)	10 pieces
	7010E Nonius hanger lower section	Length: 140 mm galvanized	100 pieces

Illustration	Description	Dimension/surface	Units/pack
	7510B Wall anchor	Width: 97 mm length: 60 mm galvanized	10 pieces
	7910E Hanger	Height: 100 mm width: 100 mm galvanized	100 pieces
	8010 C bandraaster profile	Height: 30 mm width: 100 mm thickness: 1.25 mm length: 4000 mm color: RAL 9010	4 pieces
	8210B Connector	Width: 97 mm length: 100 mm galvanized	10 pieces
	99006 Unclip tool	Tool for opening the clip-in metal systems	1 piece
	99010 Wall clip for wall angle no. 50/15	galvanized	100 pieces
	99308 Joint tape, black	Width: 8 mm thickness: 3 mm roll à 20 m	20 m

The information in this brochure is up-to-date at the time of publication. Errors and mistakes excepted. Please contact our competence team OWAconsult for specific advice. Our experts will be happy to answer your questions under the following contact details: tel: +49 9373 201-444 or e-mail: info@owaconsult.de

OWA (UK) Ltd.
Castle Hill House, 12 Castle Hill, Windsor, SL4 1PD
Tel. +44 (0)1753 552 489 | enquiries@owa-ceilings.co.uk
www.owa-ceilings.co.uk

